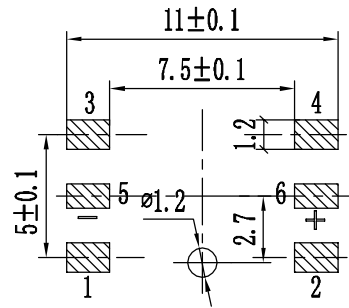
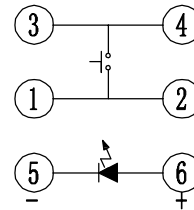


PRINCIPLE DIAGRAM



Element face bitmap



Main Specifications:

Climate Grade: -25 ~+75

Rated Values: 30V DC,0.3A

Contact Resistance: 0.05

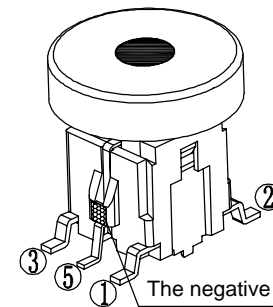
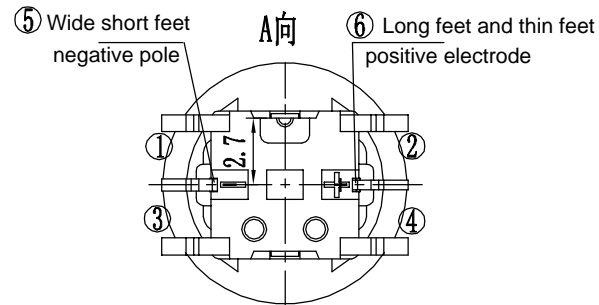
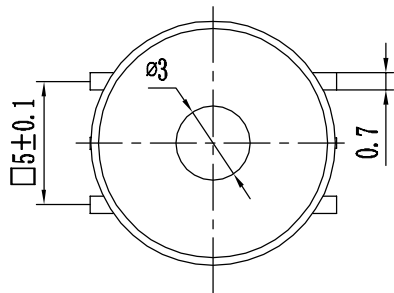
Dielectric Strength: 250V AC

Insulation Resistance: 100M

Operating Force: 260gf ± 50gf

Life: 10W times

Salt mist Test: 12 ± 1 hours



The negative pole is painted blue

Led Color	Part No
Red	TPDD005AR
Blue	TPDD005ABL
Yellow	TPDD005AY
Green	TPDD005AG

ITEM	PAPT NAME	MATERIAL	QTY	Coating/color
6	Yarmulke	ABS-750	1	White
5	LED	PET	1	transparent
4	Button	PA66	1	White
3	Shrapnel	SUS	1	Ag
2	Pedestal	PA66	1	Black
1	Clasp	H62	1	Ag

REV.	DATE	REVISION DESCRIPTION	ISSUE
A4			
A3			
A2			
A1			

	COMMON TOLERANCE:	
	x.xx	± 0.10
	x.x	± 0.15
	x	± 0.25
	ANGULAR	—

UNIT	MM	PROJECTED		PRODUCT NAME:	TPDD005AX
DRAWN BY	FUYUAN	CHECKED BY	COCO	MODEL NO:	
DATE	2017	APPROVAL BY	ALEN	Https :	www.rocpu.com
<h1>ROC PU TECHNOLOGY CO.,LTD</h1>					
Copies are issued in strict confidence and shall not be reproduced or copied, or used as the basic of manufacture or sale of apparatus without permission					