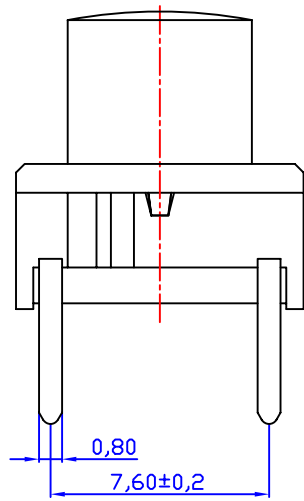
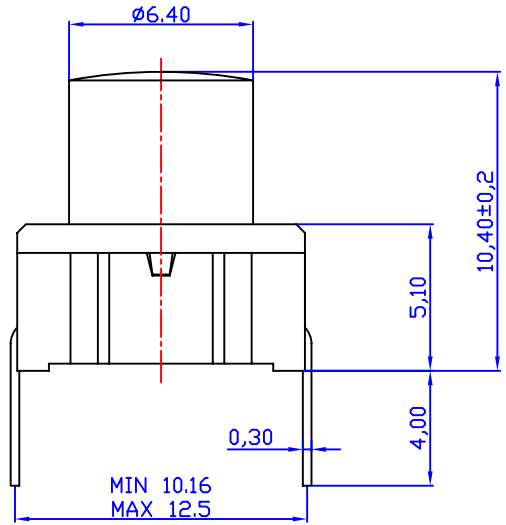


A B C D E F G

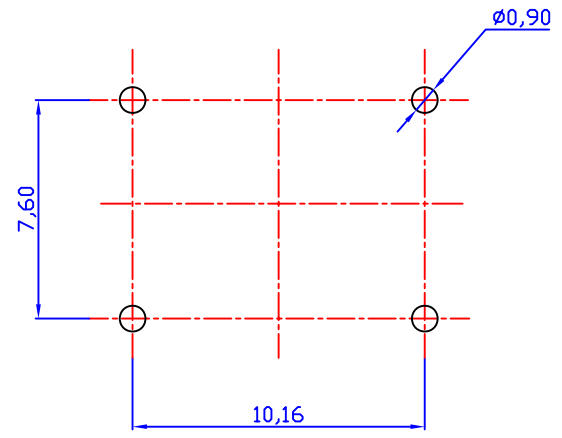
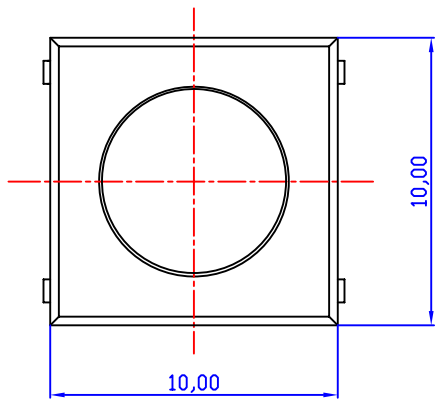


# IP67

Various options of cap, color and pattern  
 Can be combined into a 5-ways Navigation Switch  
 Carry IP67 protection degree

Rating 50mA, 24VDC  
 Electrical Life 1,000,000 cycles  
 Contact Resistance 50m $\Omega$  max. (initial)  
 Insulation Resistance 10M $\Omega$  min. 100VDC  
 Dielectric Strength 250VAC1 min.  
 Operating Temperature -40°C to +160°C

## PCB LAYOUT



HOUSE: Nylon  
 ACTUATOR: Nylon  
 COVER: Nylon  
 SEALING+SPRING: Silicon  
 CONTACT: Stainless steel silver plating  
 TERMINAL: Copper alloy

A4				
A3				
A2				
A1				
REV.	DATE	REVISION	DESCRIPTION	ISSUE
		A		B



COMMON TOLERANCE:	
X.XX	± 0.10
X.X	± 0.15
X	± 0.25
ANGULAR	—

UNIT	MM	PROJECTED		PRODUCT NAME:
DRAWN BY	FUYUAN	CHECKED BY	COCO	MODEL NO: TPS10-3-C-H
DATE	2017	APPROVAL BY	ALEN	Https: www.roc pu.tw
<b>ROC PU TECHNOLOGY CO., LTD</b>				
Copies are issued in strict confidence and shall not be reproduced or copied, or used as the basic of manufacture or sale of apparatus without permission				

A B C D E F G